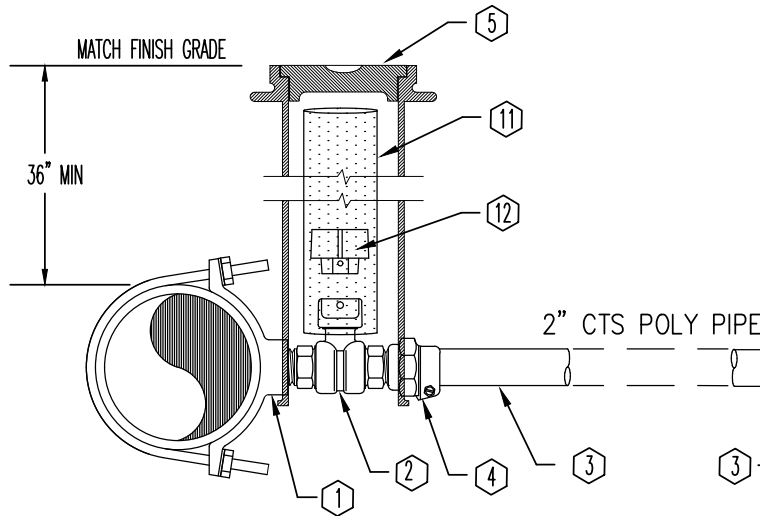
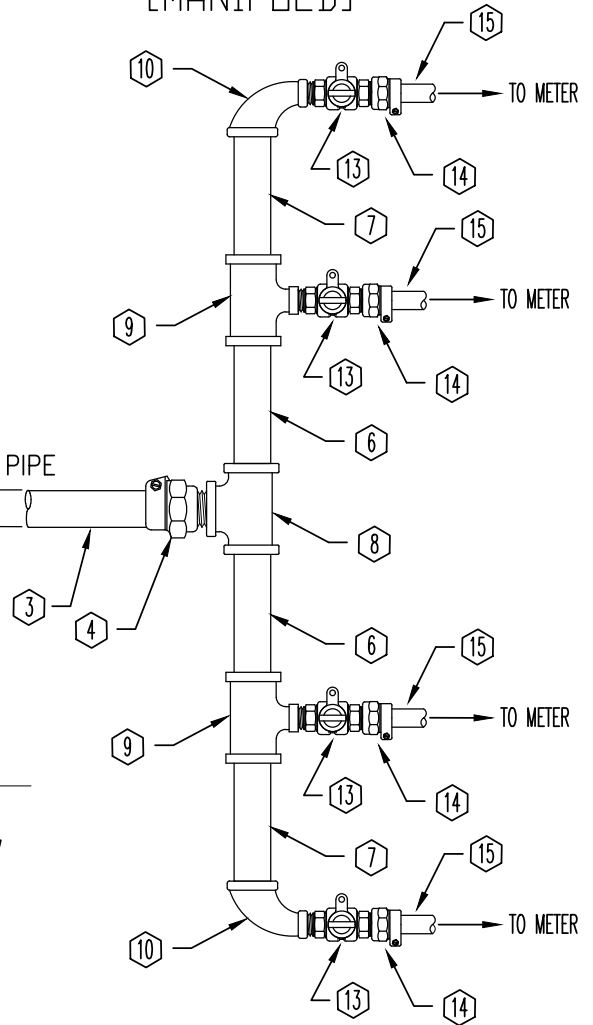


SIDE VIEW
[CONNECTION TO WATERMAIN]



PLAN VIEW
[MANIFOLD]



WATER SERVICE STANDARDS

DESCRIPTION	MAKER OR RATING	SIZE/PART NO.
1. Double Strap Saddle	Romac or Equal	202S 2" IPT
2. 2" Ball Valve	Ford or equal	B11-777 w/Qt67
3. Pipe - POLY CTS 250 PSI	SIDR 9	
4. 2" Pack Joint	Ford or equal	C84-77-G-NL
5. Valve Box	VB940 or equal	
6. Nipple Brass		2" x 12"
7. Nipple Brass		2" x 18"
8. Brass Tee		2"
9. Brass Tee		2" x 1"
10. Brass 90° Elbow		2" x 1"
11. 2" Sleeve	PVC	
12. 2" Operating Nut w/Cotter Pin		QT 67
13. 1" Ball Valve Curb Stop	Ford or Equal	B11-444 N/L
14. 1" Pack Joint	Ford or Equal	C84-44G N/L
15. 1" Poly Pipe IPS - 250 PSI	SIDR 7	

NOTE: ALL BRASS FITTINGS AND VALVES TO BE NO LEAD AND APPROVED FOR POTABLE DRINKING WATER

NOTES

- SERVICES TO BE 1" POLY
- SEE SINGLE SERVICE FOR METER STD. DETAIL.
- RUN COPPER TRACING WIRE FROM VALVE BOX TO ALL METER BOXES.
- NOTCH VALVE BOX TO CRADLE VALVE ASSEMBLY, SET ON BRICKS

FOR 4 TO 6 SERVICES ONLY, UPON APPROVAL OF UNION HILL WATER ASSOCIATION.

MANIFOLD FOR 4 - 6
1" WATER SERVICE - STANDARD DETAIL

UNION HILL
WATER ASSOCIATION

WATER STANDARD DETAIL
W-28

SCALE: NTS DATE: JUNE 10, 2019

R:\CAD\DETAIL\AUTOCAD\UHWA\W-28 MNFLD SRVC