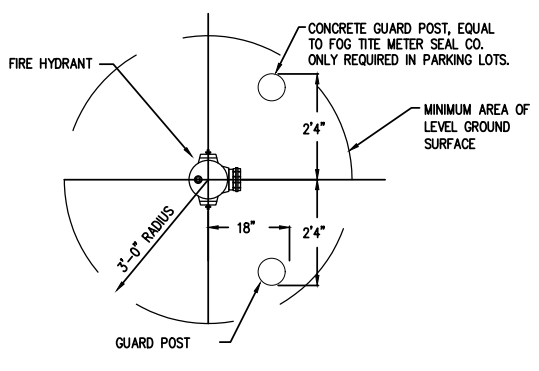
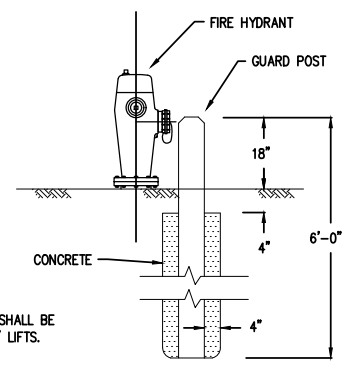


TYPICAL FIRE HYDRANT LOCATION



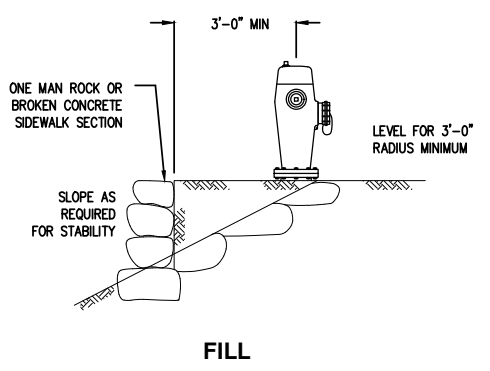
PLAN



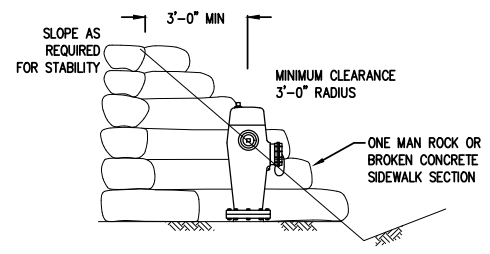
NOTE:
EARTH BACKFILL SHALL BE
COMPACTED IN 6" LIFTS.

PROFILE

FIRE HYDRANT GUARD POSTS



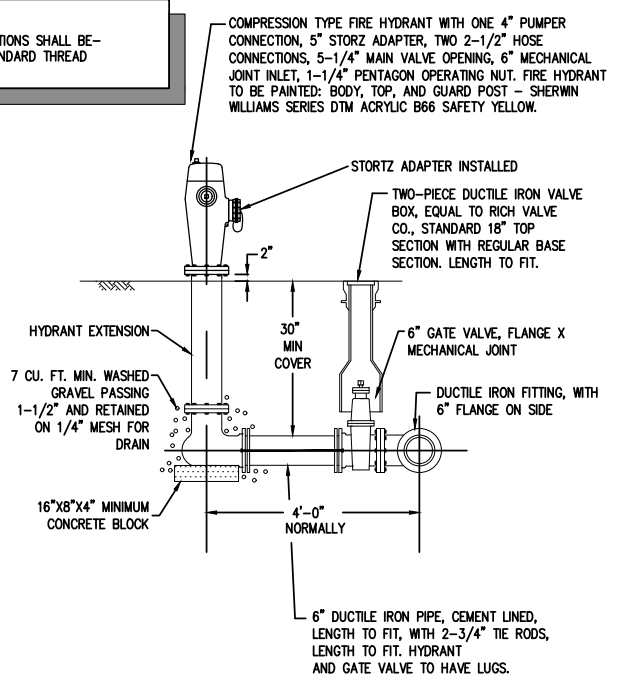
FILL



CUT

**FIRE HYDRANT LOCATION
IN CUT OR FILL**

NOTE:
HOSE CONNECTIONS SHALL BE-
NATIONAL STANDARD THREAD



FIRE HYDRANT ASSEMBLY

FIRE HYDRANT ASSEMBLY

**UNION HILL
WATER ASSOCIATION**

**WATER STANDARD DETAIL
W-13**

SCALE: NTS DATE: MAY 29, 1919
R:\CAD\DETAIL\AUTOCAD\UHWA\W-13 HYDRANT