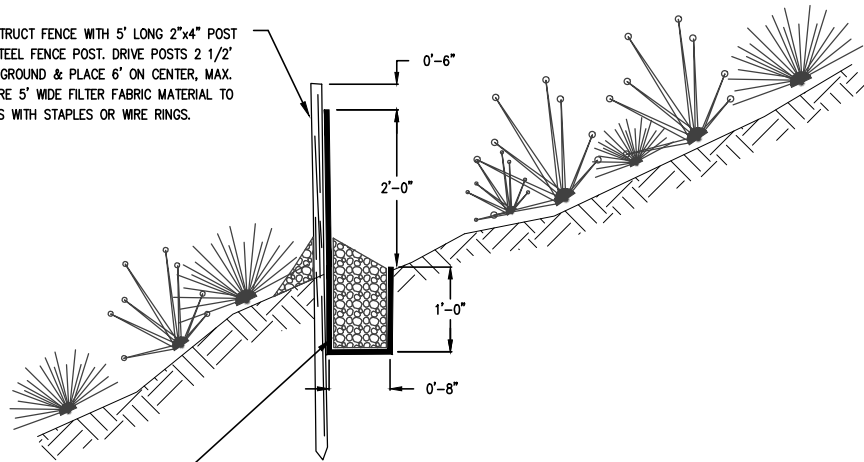


CONSTRUCT FENCE WITH 5' LONG 2"x4" POST OR STEEL FENCE POST. DRIVE POSTS 2 1/2' INTO GROUND & PLACE 6' ON CENTER, MAX. SECURE 5' WIDE FILTER FABRIC MATERIAL TO POSTS WITH STAPLES OR WIRE RINGS.

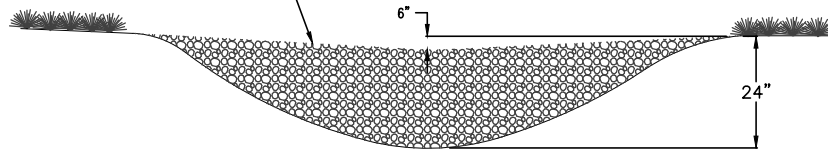


PROVIDE A 12" DEEP x 8" WIDE FABRIC LINED TROUGH, BACKFILL WITH 3/4"-1 1/2" WASHED GRAVEL. PLACE WASHED GRAVEL ON SURFACE AGAINST BOTH SIDES OF FENCE.

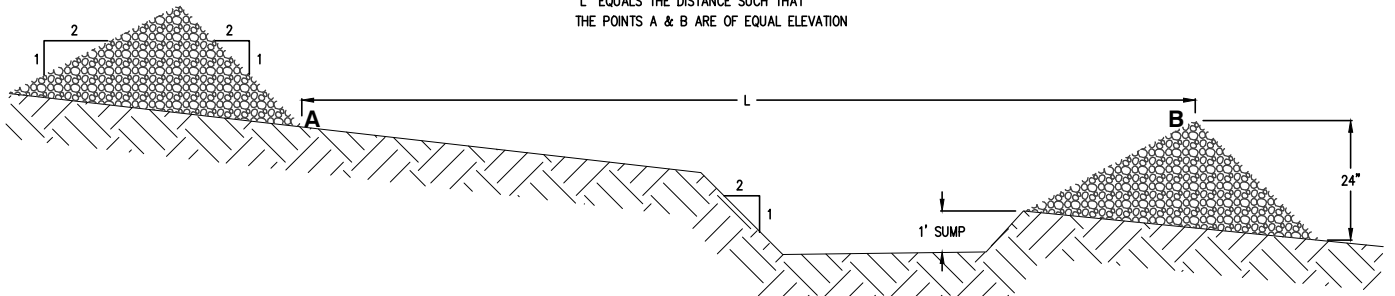
### EROSION CONTROL FENCING

NTS

2" - 4" QUARRY SPALLS



"L" EQUALS THE DISTANCE SUCH THAT THE POINTS A & B ARE OF EQUAL ELEVATION



### ROCK CHECK DAM

NTS

# EROSION CONTROL FENCING ROCK CHECK DAM

WATER STANDARD DETAIL  
W-50

UNION HILL  
WATER ASSOCIATION

SCALE: NTS | DATE: OCT 11, 2018  
R:\CAD\DETAIL\AUTOCAD\UHWA\W-50 ESC CNTRL