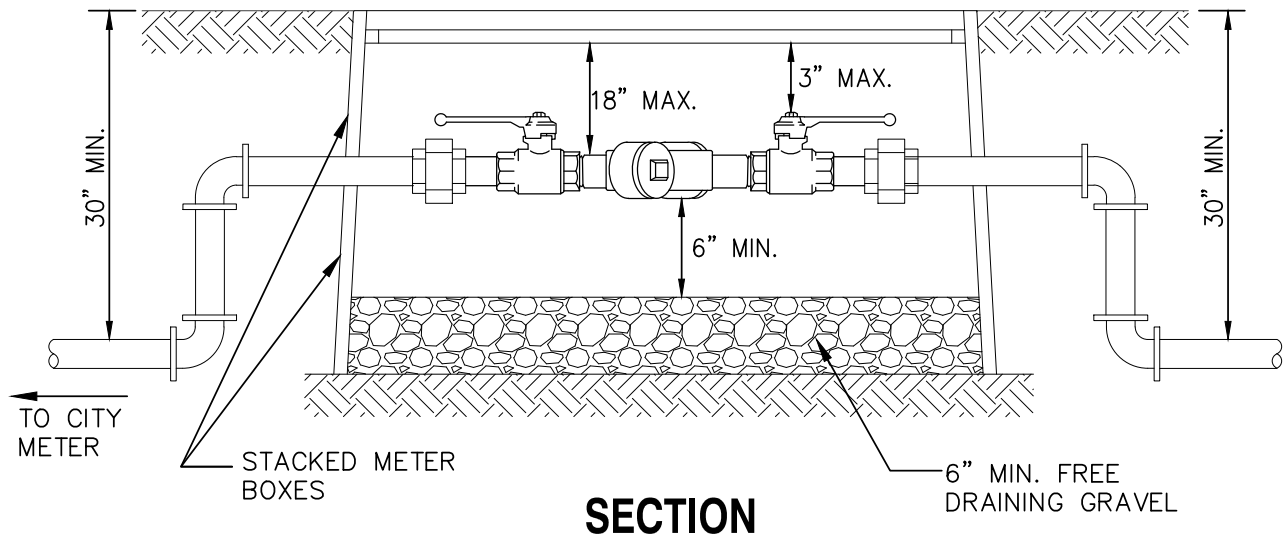
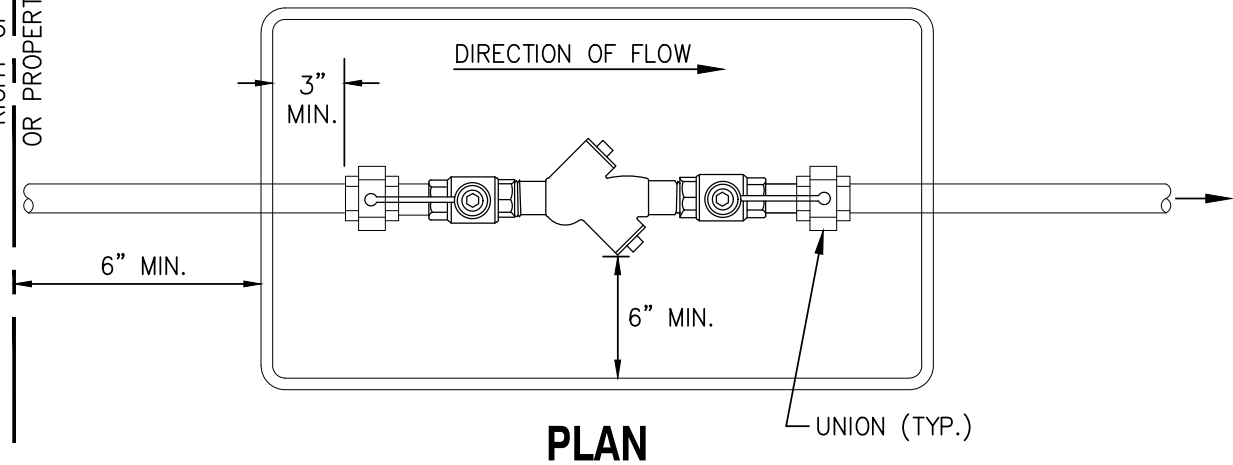


RIGHT-OF-WAY  
OR PROPERTY LINE



NOTES:

1. ALL DOUBLE CHECK VALVE ASSEMBLIES (DCVA's) MUST BE LISTED ON LATEST LIST OF "BACKFLOW PREVENTION ASSEMBLIES APPROVED FOR INSTALLATION IN WASHINGTON STATE," PUBLISHED BY STATE OF WASHINGTON DEPARTMENT OF HEALTH.
2. THE OWNER SHALL FURNISH, INSTALL, AND MAINTAIN THE DCVA AND ALL PIPING AND APPURTENANCES SHOWN ON THIS PLAN.
3. THE DCVA MUST BE TESTED BY A STATE CERTIFIED BACKFLOW ASSEMBLY TESTER AFTER ITS INITIAL INSTALLATION, AFTER REPAIRS, AND ANNUALLY THEREAFTER AT OWNER'S EXPENSE. A COPY OF THE TEST REPORT SHALL BE SENT OR FAXED TO UNION HILL WATER ASSOCIATION, ATTN: WATER UTILITY CROSS-CONNECTION CONTROL SPECIALIST, FAX NO. 425-497-8831.
4. DCVA AND METER BOX SHALL BE LOCATED ON PRIVATE PROPERTY AND AS NEAR AS POSSIBLE TO THE WATER METER.
5. ALL BRASS FITTINGS AND VALVES SHALL BE NO LEAD AND APPROVED FOR POTABLE DRINKING WATER.

## 3/4" to 2" DOUBLE CHECK VALVE FOR IRRIGATION

WATER STANDARD DETAIL  
W-32

UNION HILL  
WATER ASSOCIATION

SCALE: NTS    DATE: OCT 11, 2018  
R:\CAD\DETAIL\AUTOCAD\UHWA\W-32 DCVA IRRIG