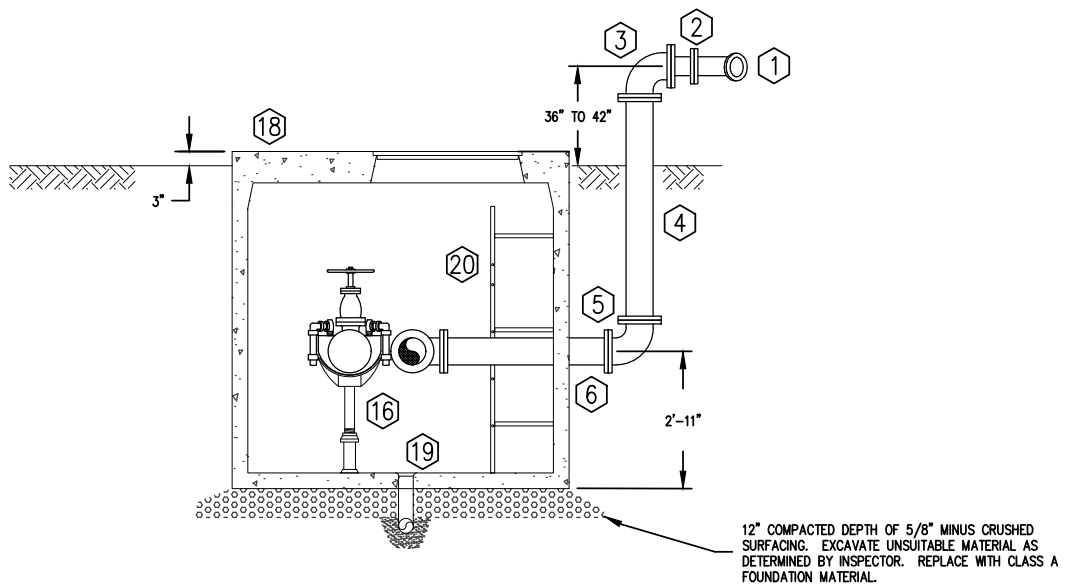


PLAN



PROFILE

FIRE SERVICE DETAIL WITH FIRE DEPARTMENT CONNECTION 1 OF 2

UNION HILL

WATER ASSOCIATION

WATER STANDARD DETAIL
W-37

SCALE: NTS | DATE: OCT 11, 2018

R:\CAD\DETAIL\AUTOCAD\UHWA\W-37 FIRE SRVC