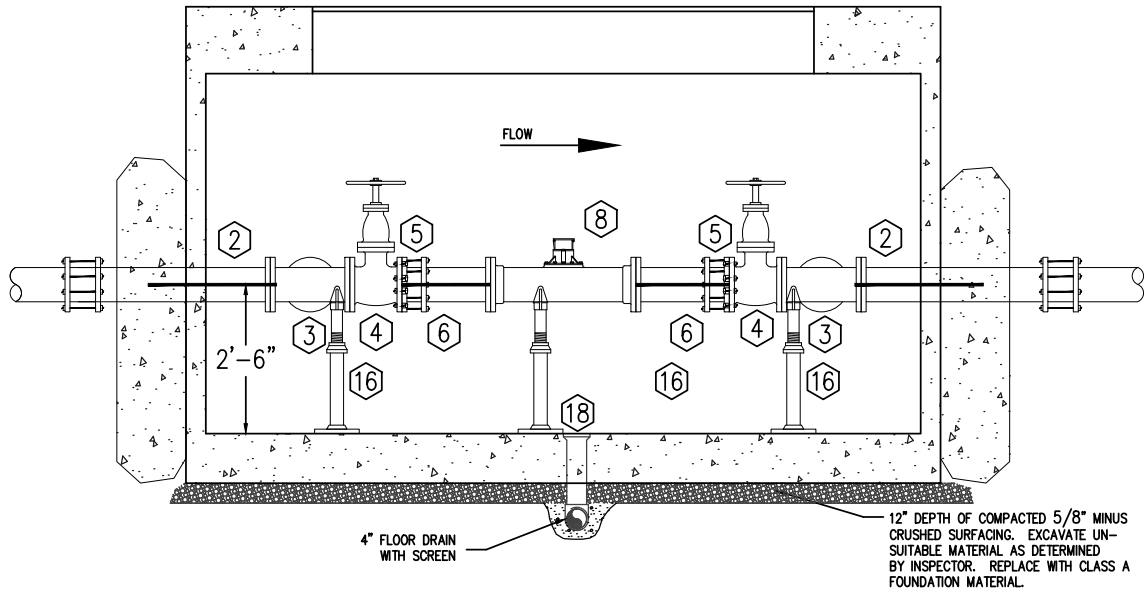


NOTE: ALL BRASS FITTINGS AND VALVES TO BE NO LEAD AND APPROVED FOR POTABLE DRINKING WATER

PLAN



ELEVATION

**3", 4", 6" COMPOUND METER SERVICE**  
1 OF 2

UNION HILL  
WATER ASSOCIATION

WATER STANDARD DETAIL  
W-30

SCALE: NTS    DATE: JUNE 10, 2019  
R:\CAD\DETAIL\AUTOCAD\UHWA\W-30 CMPMTR SVC