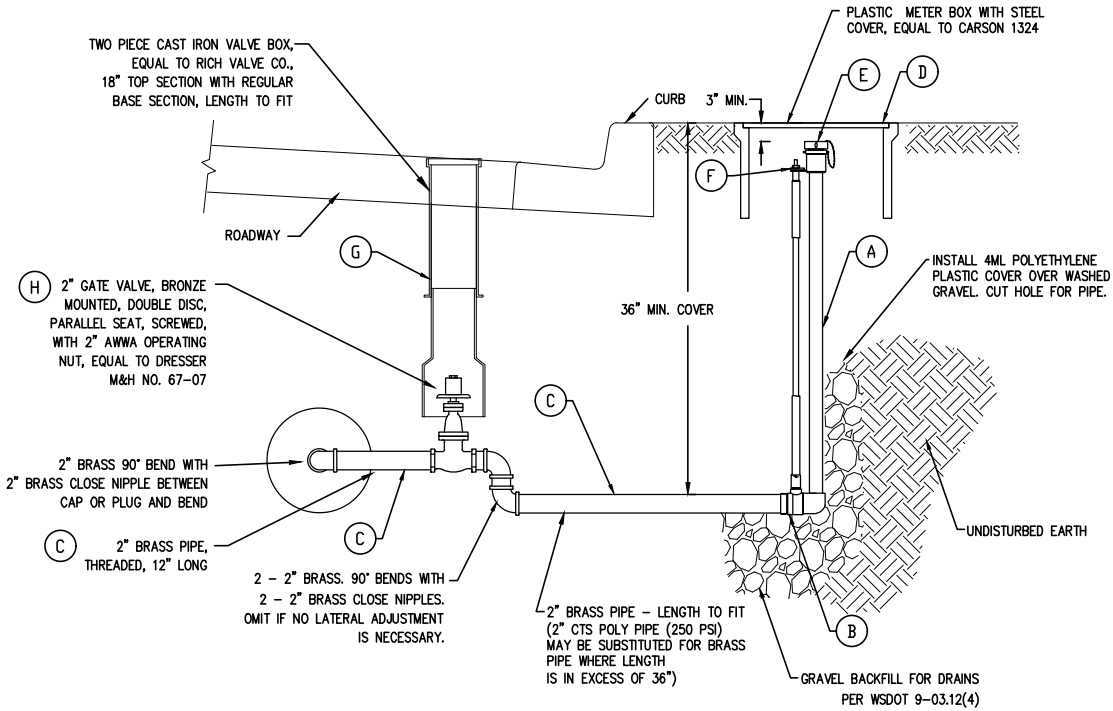


PLAN



PROFILE

NTS

NOTES:

- A. GILL INDUSTRIES SLIMLINE HYDRANT. SEE gillindustries.com/slimline.htm
- B. 2" GILL INDUSTRIES ISO 9001 CERTIFIED BRONZE BODY BALL VALVE W/CHROME PLATED BALL AND AUTOMATIC WEEP.
- C. 2" BRASS PIPE
- D. PROVIDE PLASTIC METER BOX WITH STEEL COVER, EQUAL TO CARSON 1324
- E. TO 2.5" NATIONAL STANDARD THREAD BRASS BUSHING WITH CAP AND CHAIN
- F. OPERATING LOCKWING. LOCK TO BE SUPPLIED BY UHWA
- G. VALVE BOX AND EXTENSION PER STANDARD DETAIL NO. W-21
- H. HEAVY DUTY 2" GATE VALVE, RESILIENT SEAT WITH 2" OPERATING NUT. GATE VALE SHALL BE DRESSER M & H OR UHWA APPROVED EQUAL

2" BLOW-OFF ASSEMBLY

**UNION HILL
WATER ASSOCIATION**

**WATER STANDARD DETAIL
W-14**

SCALE: NTS DATE: OCT. 17, 2022

R:\CAD\DETAIL\AUTOCAD\UHWA\W-14 BLOW-OFF