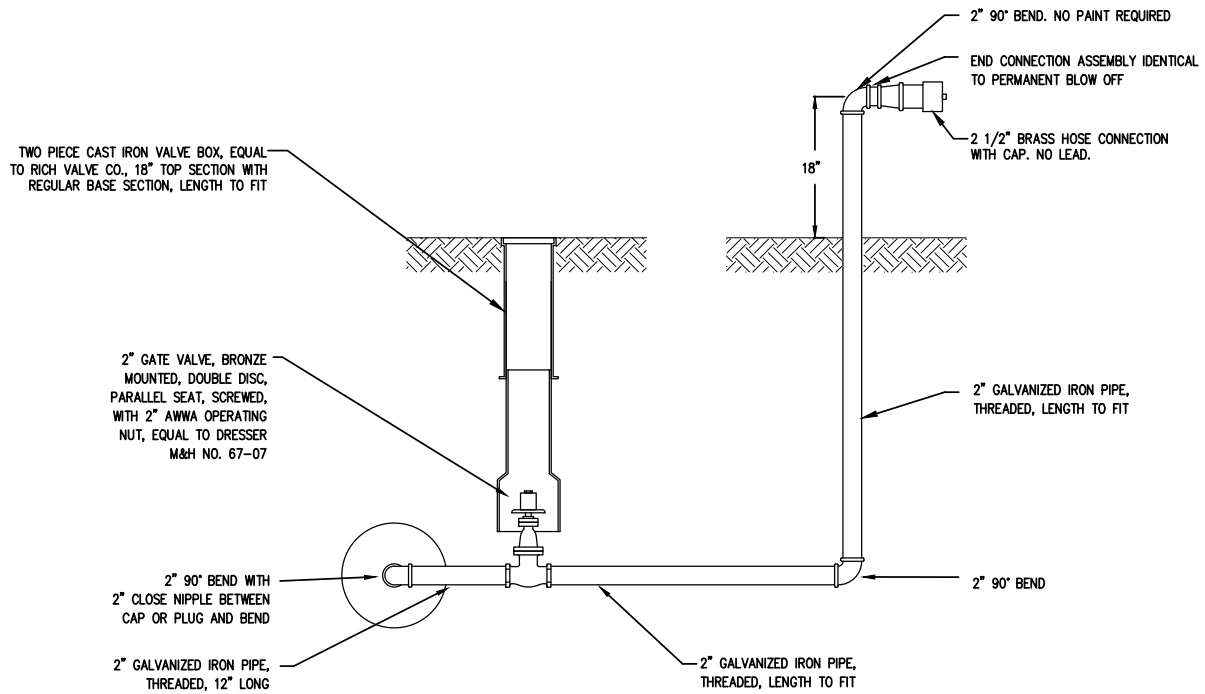


PLAN



PROFILE

NTS

TEMPORARY 2" BLOW-OFF ASSEMBLY

**UNION HILL
WATER ASSOCIATION**

**WATER STANDARD DETAIL
W-15**

SCALE: NTS	DATE: MAY 29, 2019
R:\CAD\DETAIL\AUTOCAD\UHWA\W-15 TMP BL-OFF	